

IMPERIA T6



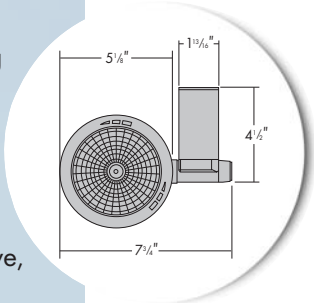
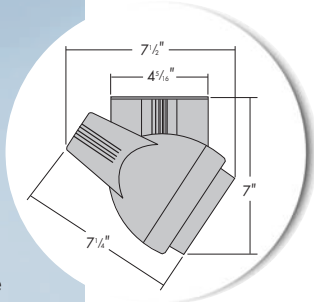
AMERLUX[®]
LIGHTING SOLUTIONS
ADAPT. ABILITY.[™]

IMPERIA T6

Imperia T6 Zoom Spot

brings all the flexibility and efficiency of an adjustable beam spread to retail and commercial accent and display lighting. This revolutionary die-cast aluminum fixture can be gradually adjusted from a spot to a flood or from a flood to a very wide flood without sacrificing the quality of light.

Specially designed for the energy-efficient T6 metal halide lamp, Imperia T6 features a vertical aiming angle indicator and locking vertical adjustment for fixture-to-fixture consistency. It is also available in a companion wall wash for creating complete, effective, complementary lighting schemes.



IMPERIA T6 ZOOM SPOT



Extruded aluminum ballast housing keeps ballast cool and can grow to accommodate higher wattage 70w ballast.



Die-cast lens holder with captive reflector is easily removed for simple relamping.



VARIABLE BEAM TECHNOLOGY

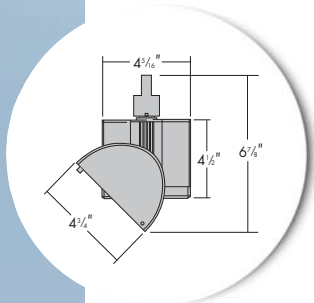
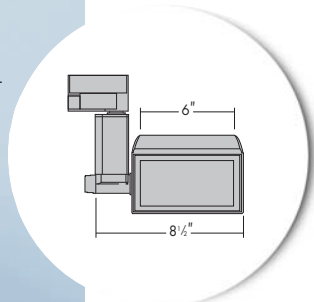
Lamping

Imperia T6 utilizes the compact T6 G12 bi-pin base ceramic metal halide lamp.

T6 G12 Bi-Pin Base

Lamp Wattage	Initial Lumens	Lamp Life (hrs)
39	3400	12000
70	6400	12000

Data Shown:
Philips Lighting



IMPERIA T6 WALL WASH



Captive lamp housing door with locking knob provides hands-free relamping.



Locking knob and aiming angle indicator allows for easy, repeatable vertical tilt positioning.

AMERLUX
LIGHTING SOLUTIONS

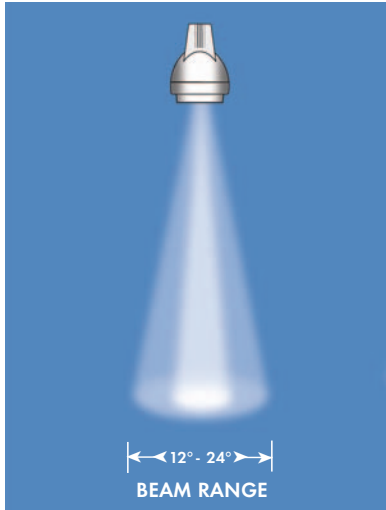
ADAPT. ABILITY.™

VARIABLE BEAM TECHNOLOGY

With its unique Variable Beam Technology, Imperia T6 Zoom Spot allows you to tune the fixture's beam in the field to suit any display. Simply press and rotate the comfort snoot to gradually adjust the beam spread anywhere from 12° to 24° or from 30° to 55° without sacrificing the quality of light.

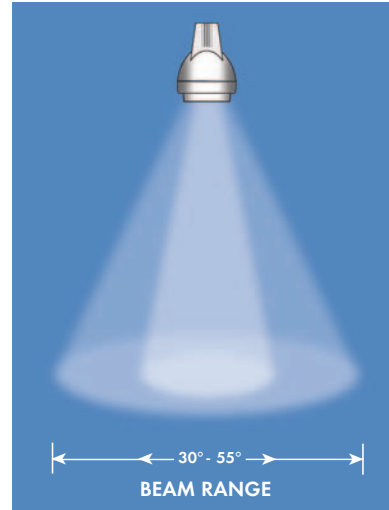
Advanced optics featuring precision-crafted reflectors deliver industry-leading lighting performance no matter how narrow or wide your selected beam. So you have the flexibility to rearrange your merchandise as you wish, knowing that your lighting can be easily adapted to display it to its maximum advantage.

NARROW BEAM



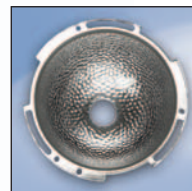
Imperia T6 Zoom fixtures deliver beams free of striations and hard edges providing a comfortable transition from beam to beam.

WIDE BEAM



IMPERIA T6 ZOOM SPOT

Indicator
Beam indicator marks allow simple, consistent tuning of beam from fixture to fixture.



Wide Reflector
Specially designed high-performance peened reflector delivers a broad range of wide beam spreads (30° – 55°) with high light levels.



Narrow Reflector
Precise double-faceted and fluted narrow reflector provides intense narrow beams (12° – 24°) perfect for long throws of light or high-impact accent lighting.



VARIABLE BEAM TECHNOLOGY

AMERLUX
LIGHTING SOLUTIONS

ADAPT. ABILITY.™



Developed in response to the ever-changing nature of retail displays, the Imperia T6 Zoom allows stores to easily adjust the distribution of light from each fixture at any time to suit their merchandise. From a 30° flood on an end table to a very wide 55° flood on a sofa—or anything in between—the Imperia T6 Zoom delivers all the performance, efficiency and flexibility required in today’s retail environments.

IMPERIA T6

FEATURES

BENEFITS

CONSTRUCTION

Die-cast aluminum construction	Allows for precise optical alignment of lamp, reflector and lens for improved lighting performance and consistency between fixtures. Eliminates light leaks for less obtrusive look.
Comfort snoot	Engineered non-metallic snoot is spring-loaded and provides simple press and rotate adjustment and additional shielding.
Twist on/off die-cast lens holder	Twists on/off to simplify relamping.
Locking vertical adjustment 0-90 degrees	Keeps aiming position and allows lighting to remain as designed even through relamping cycles.

OPTICS

Adjustable narrow and wide range optics	Allow beam to be adjusted from a spot to a flood or from a flood to a very wide flood without sacrificing the quality of light.
Specially designed for T6 metal halide lamps	Delivers optimum performance, long life and superior energy efficiency.
Optional tinted reflector finishes	Allow warming of standard 3000k ceramic metal halide light to a variety of incandescent-like hues.

ZOOM SPOT ORDERING INFORMATION

Field Adjustable Example: IMZ-39-T6-E-W-B-120-Z-N-SUN Factory Set Example: IMZ-39-T6-E-W-B-120-F-FL-SUN

CAT #	WATTAGE	LAMP TYPE	BALLAST	COLOR	MOUNTING	VOLTAGE	OPTICS	REFLECTOR TYPE	OPTIONS/ACCESSORIES
IMZ	39	T6	E - electronic	B - black	Track 1 cir	120	Z - zoom (field adjustable)	N - narrow (12°-24°)	SUN - sunrise reflector GOLD - ferric gold reflector HEX - hexcell louver (1/8" x 1/8")
	70			W - white	Track 2 cir/2 neutral	277		W - wide (30°-55°)	
				- (other RAL)	Track 3 cir (consult factory for track options)		F - factory set	CL - spot NF - narrow flood FL - flood WF - wide flood VWF - very wide flood SL - linear spread lens	

WALL WASH ORDERING INFORMATION

Example: IMZW-70-T6-E-W-C-277-WW-SUN

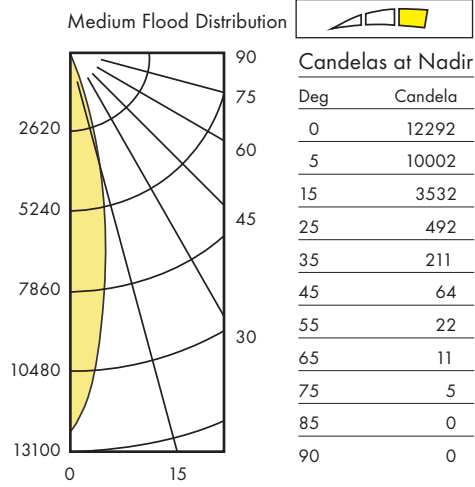
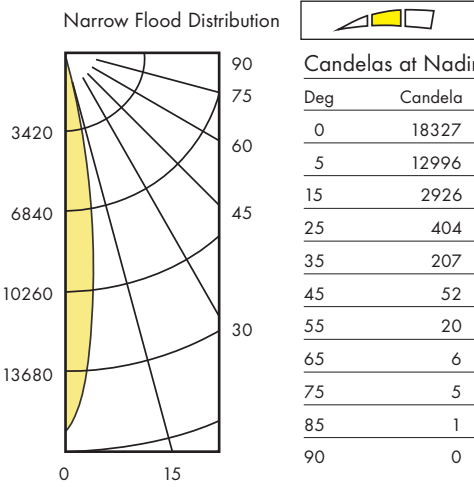
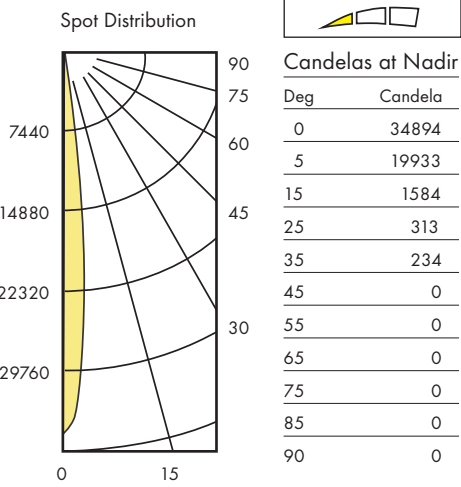
CAT #	WATTAGE	LAMP TYPE	BALLAST	COLOR	MOUNTING	VOLTAGE	BEAM SPREAD	OPTIONS/ACCESSORIES
IMZW	39	T6	E - electronic	B - black	Track 1 cir	120	WW - wall wash	SUN - sunrise reflector GOLD - ferric gold reflector
	70			W - white	Track 2 cir/2 neutral	277		
				- (other RAL)	Track 3 cir (consult factory for track options)			
					B - busway C - canopy CCL - c-clamp			

IMPERIA T6

PERFORMANCE

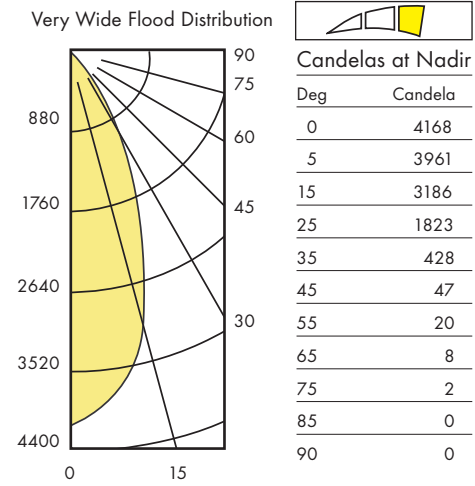
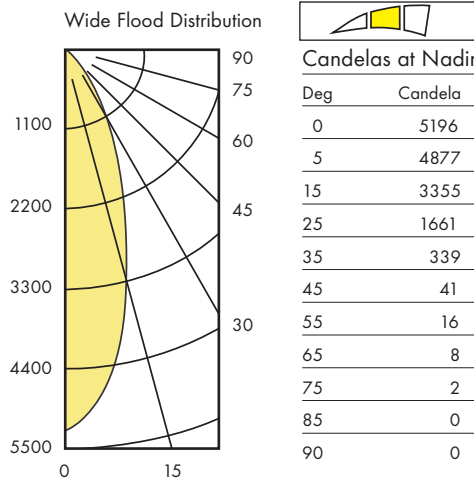
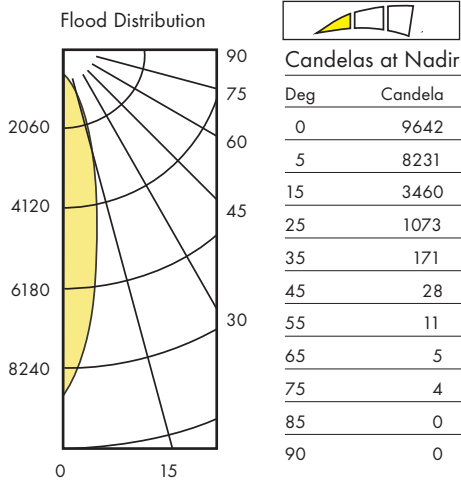
T6 ZOOM 39W NARROW BEAM

For 70w data, multiply by 1.9



T6 ZOOM 39W WIDE BEAM

For 70w data, multiply by 1.9



T6 39W WALL WASH

For 70w data, multiply by 1.9

Track 3 Feet From Wall

Distance From Ceiling	5'		
	1'	2'	3'
1'	69	52	69
2'	76	65	76
3'	62	59	62
4'	44	44	44
5'	30	30	30
6'	21	21	21
7'	15	15	15
8'	12	12	12
9'	9	9	9

Track 4 Feet From Wall

Distance From Ceiling	6'		
	1'	2'	3'
1'	54	42	54
2'	58	50	58
3'	50	47	50
4'	37	37	37
5'	26	26	26
6'	19	19	19
7'	14	14	14
8'	10	10	10
9'	8	8	8

