



LED DockLight

EFO introduces an industrial luminaire with minimal power consumption.

The powerful LED DockLight delivers light all the way back into a 53' trailer. Non-corrosive and UL rated for damp locations, the LED DockLight is suited for the toughest indoor or outdoor applications. Complete with impact resistant, optically clear acrylic lens and 5 high-intensity LED emitters with custom focusing optics. The LED DockLight provides a consistent quality and low maintenance lighting solution.

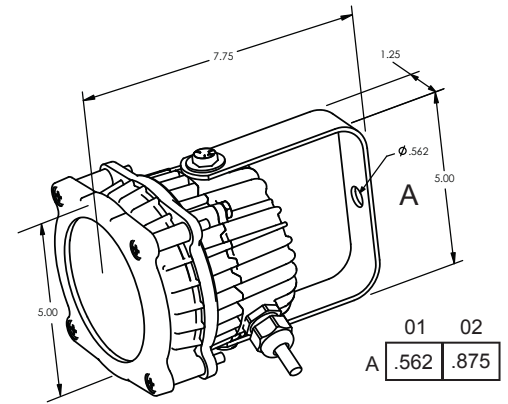
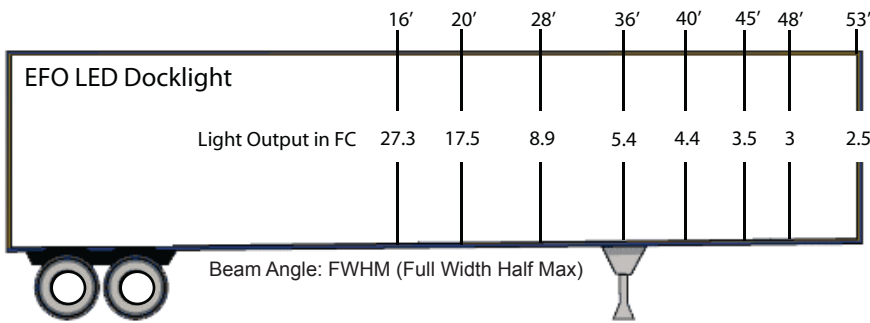
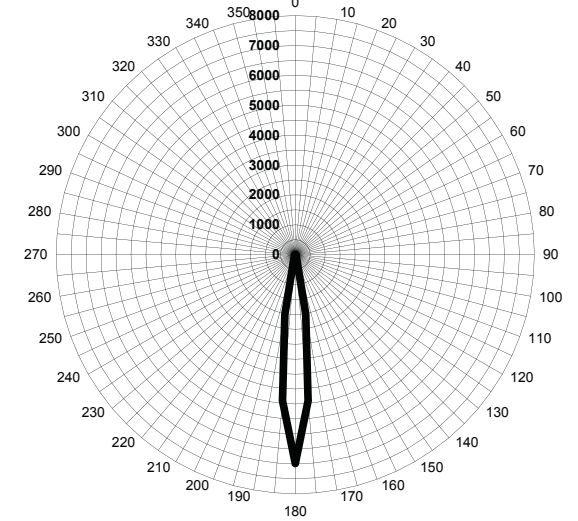
FEATURES

- Industrial luminaire with 14 watt power consumption
- 50,000 hours rated life reducing maintenance significantly
- Durable exterior to hold up to the toughest environments
- Non-corrosive and safe to use outdoors
- Safety yellow for maximum visibility
- 10' wear resistant cord with hooded male plug
- UL rated for wet locations
- Attaches directly to standard dock light arms for easy retrofit
- Purchase the kit that includes your choice of a 24", 42" or 60" arm





Candlepower Curve @ 48"



Extend Your Reach : Compatible DockLight Arms

- Strong, non-corrosive single strut steel arm with on/off switch and female receptacle
- Available in 24", 42" and 60"
- 42" and 60" versions with articulated arms
- Wear resistant 3 conductor AC cord fits directly into standard outlet



Ordering Code:



Head Options:

- 01: Head Replacement, Strut Arm
- 02: Head Replacement, Trunnion

Arm Options:

- 24: Arm Length 24"
- 42: Arm Length 42", Articulated
- 60: Arm Length 60", Articulated

*Arm option only available with 01 Head