

Type:

Ordering Code:

EFO - LEDDL - -
Head Arm

Approvals:

Date:

Job:

Specifications

Housing and Lens Frame: Die cast aluminum for thermal management

Swivel: Friction joint to allow for 270° angle adjustment

Lens: Impact resistant, optically clear acrylic LMS with silicone gasket

Finish: Safety yellow TGIC thermoset polyester powder coat paint

Fasteners: Steel, non-corrosive bright zinc plate

Weight: 4.8 lbs.

Input Voltage: 100-240 Volts, 50-60 Hz

Power Cord: 01: 18/3C AWG- power cord, 10 feet long, with IEC 320 hooded male plug
 02: 18/3C AWG-power cord, 10 feet long, no plug

LED / Ballast Field Replaceable: No

Power Consumption: 14 watts

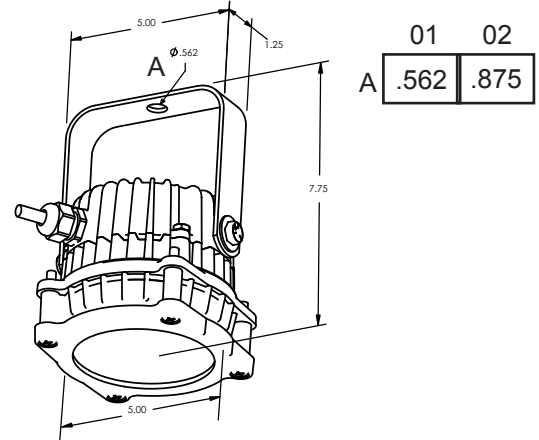
Driver: Constant current electronic driver

Optical System: 5 high intensity LED emitters with custom focusing optics

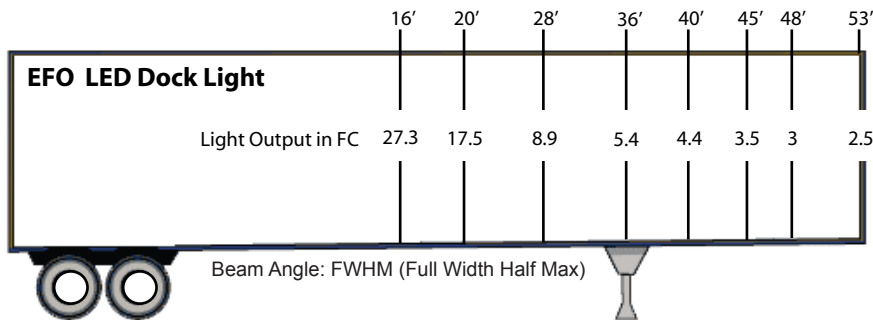
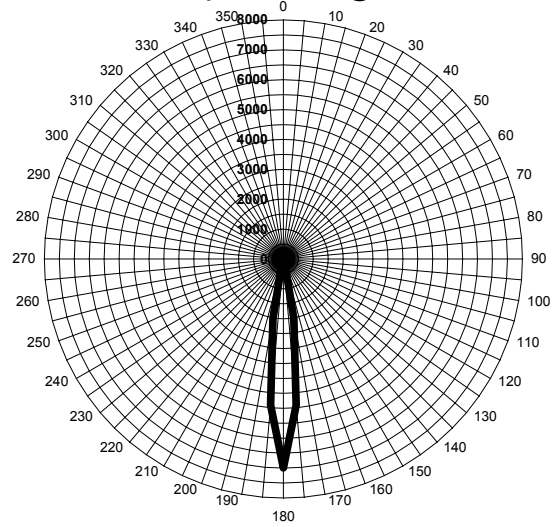
Lamp Life: 50,000 hours to 70% lumen maintenance

UL / IP Rating: NEMA3, damp locations / IP 65 compliant

Operating Temp Range: -20°C to 45°C



Candlepower Curve @ 48"



Ordering Code:

EFO - LEDDL - -
Head Arm

Head Options:

- 01: Head Replacement, Strut Arm Mount
- 02: Head Replacement, Trunnion Mount
- 03: XXXXXXXX

Arm Options

- 24: Arm length 24"
- 42: Arm length 42," Articulated
- 60: Arm length 60," Articulated

*Note: Arm option only available with 01 Head

Type:

Job:

Single Strut Arms Specifications

Arm: 1 1/2" square steel tube arm with wrist-action zinc plated steel joint on 42" and 60" single-strut arms. Washers at all joints and bushings at bracket joints for smooth operations, greater stability, and longer wear

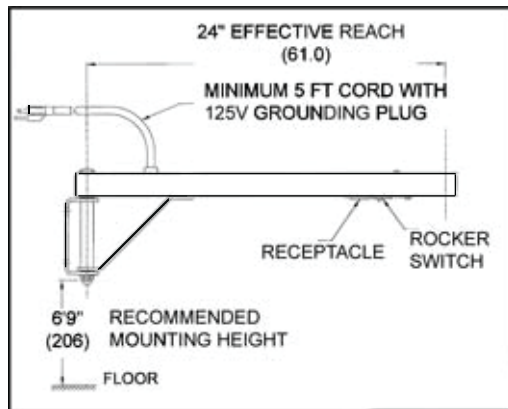
Finish: Safety yellow for maximum visibility, thermoset powder coat paint

Weight: 24": 8 lbs.
42": 12 lbs.
60": 19 lbs.

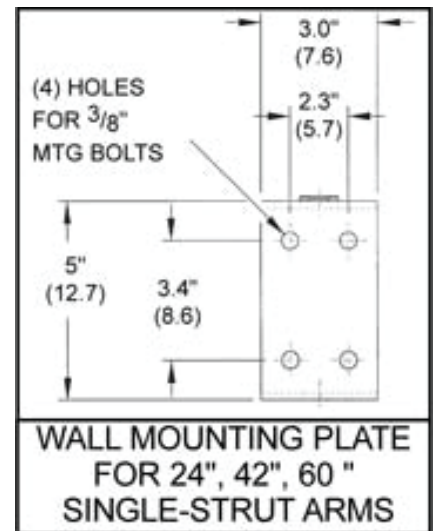
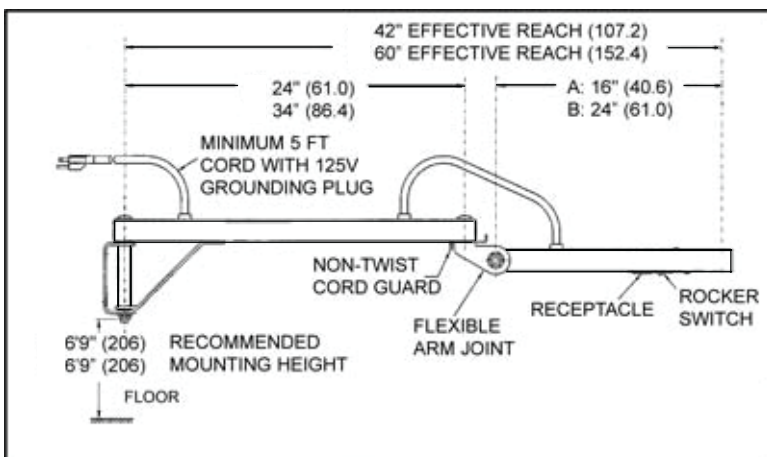
Mounting Bracket: 3" x 5" zinc plated- steel, 3/16" thick

Cords: Wear-resistant 3-conductor AC cord from arm, fits directly into standard outlet. Hooded male plug on LED Dock Light power cord plugs into female receptacle in arm.

Switch: On-Off rocker switch and IEC type receptacle



Bracketed number in cm



Ordering Code:



Head Options:

- 01: Head Replacement, Strut Arm Mount
- 02: Head Replacement, Trunnion Mount
- 03: XXXXXXXX

Arm Options

- 24: Arm length 24"
- 42: Arm length 42," Articulated
- 60: Arm length 60," Articulated

*Note: Arm option only available with 01 Head

For more information on the Dock Arm visit: www.phoenixproducts.com