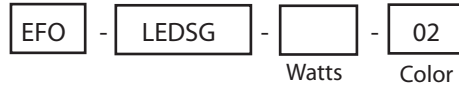


TYPE:

JOB:

ORDERING CODE:



APPROVALS:

DATE:

SPECIFICATIONS

Housing and Lens Frame: Die cast aluminum for thermal management

Lens: Tempered Glass

Finish: TGIC thermoset polyester powder coat paint

Fasteners: Steel, non-corrosive bright zinc plate

Weight: 8 lbs.

Input Voltage: 100-240 Volts, 50-60 Hz

Wiring: Hard wired / Through wire rated

LED/Ballast Field Replaceable: No

Power Consumption: 7.5, 15, 23* watts

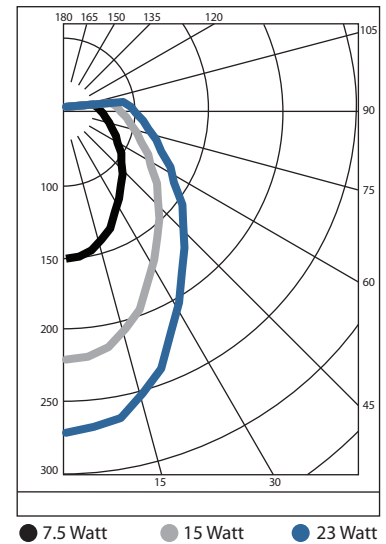
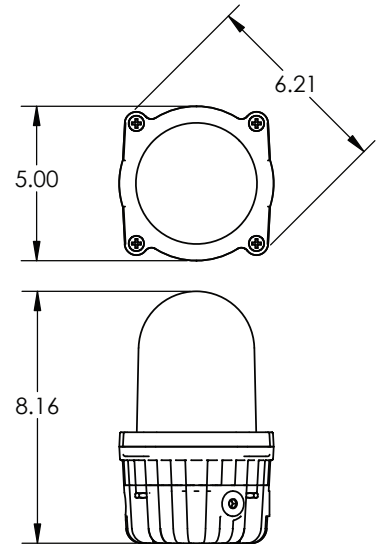
Driver: Constant current electronic driver

Optical System: 5 high intensity LED emitters with custom focusing optics

Lamp Life: 50,000 hours to 70% lumen maintenance

UL/IP Rating: NEMA3, damp locations / IP 65 compliant through wire

Operating Temp Range: -35°C to 45°C



Watts	LPW	Lums	CCT	CRI
7.5	45	339	6100	75
15	47	705	6300	75
23*	39	898	6400	76

* cold environments < 10°C only

ORDERING CODE:



LEDSG: Small GlobeLight

007: 7.5 Watts
015: 15 Watts
023: 23 Watts*

02: White

*23 watts for cold environments only