

Illuminators

As the source of light in a fiber optic system, the illuminator is critically important to the success of any fiber optic lighting installation. Fiberstars has developed the most powerful, dependable and effective fiber optic illuminators in the world—second to none in delivering high quality light output performance. Fiberstars offers a wide range of lamp wattages from 71W quartz halogen to 250W metal halide illuminators.



focus: **Reliability, Quality**



Project: Glowing Waterway
Location: Ruhr Valley, Unna, Germany
Designer: Leni Schwendinger Light Projects LTD.

ILLUMINATORS

description_benefits_dimensions



250 watt metal halide



601 ILLUMINATOR

Description:
Brightest damp location fiber optic lighting illuminator.

<p>Benefits:</p> <ul style="list-style-type: none"> • Excellent for side-emitting applications • U.L. listed for damp locations • Accommodates all stranded fiber optic cable – up to 300 fibers • 250 watt HID lamp rated for 2000 hours • Optional Features: Color Change, Synchronization, Variable Delay, and DMX 	<p>Dimensions:</p>
---	---------------------------

250 watt metal halide



602 ILLUMINATOR

Description:
Brightest exterior fiber optic lighting illuminator.

<p>Benefits:</p> <ul style="list-style-type: none"> • Excellent for side-emitting outdoor applications • U.L. listed for wet locations • Accommodates all stranded fiber optic cable – up to 300 fibers • 250 watt HID lamp rated for 2000 hours • Optional Features: Color Change, Synchronization, Variable Delay, and DMX 	<p>Dimensions:</p>
--	---------------------------

150 watt metal halide



405N ILLUMINATOR

Description:
Most popular illuminator. Offers two color temperatures.

<p>Benefits:</p> <ul style="list-style-type: none"> • Excellent for accent and downlighting applications • U.L. listed for damp locations • Accommodates all stranded fiber optic cable – up to 300 fibers • 150 watt HID lamp (either 3000°K or 4000°K) rated for 6000 hours • Optional Features: Color Change, Synchronization, Variable Delay, and DMX 	<p>Dimensions:</p>
---	---------------------------

150 watt metal halide



404N ILLUMINATOR

Description:
Popular exterior illuminator. Offers two color temperatures.

<p>Benefits:</p> <ul style="list-style-type: none"> • Excellent for landscape lighting applications • U.L. listed for wet locations • Accommodates all stranded fiber optic cable – up to 300 fibers • 150 watt HID lamp (either 3000°K or 4000°K) rated for 6000 hours • Optional Features: Color Change, Synchronization, Variable Delay, and DMX 	<p>Dimensions:</p>
---	---------------------------

183 watt quartz halogen



FS7L ILLUMINATOR

Description:
Brightest incandescent illuminator.

<p>Benefits:</p> <ul style="list-style-type: none"> • Small, compact, damp location illuminator. • Good for case lighting, point of purchase displays and other compact applications • U.L. listed for wet locations • 183W quartz halogen lamp, 3000°K, rated for 700 hours • Accommodates all stranded fiber optic cable - up to 300 fibers • "Instant-On," dimming, and synchronization 	<p>Dimensions:</p>
---	---------------------------

100 watt quartz halogen



FS13L ILLUMINATOR

Description:
Dual lamp port, compact and quiet incandescent illuminator

<p>Benefits:</p> <ul style="list-style-type: none"> • Outstanding for case lighting, point of purchase displays or other compact applications • U.L. listed for damp locations • Dual 100 watt quartz halogen lamps, 3000°K, rated for 2000 hours • Accommodates all stranded fiber optic cable – up to 300 fibers per port • "Instant-On" and dimming 	<p>Dimensions:</p>
--	---------------------------

ILLUMINATORS

description_benefits_dimensions



100 watt quartz halogen



FS12L ILLUMINATOR

Description:
Quiet, compact incandescent illuminator.

<p>Benefits:</p> <ul style="list-style-type: none"> • Excellent for case lighting, point of purchase displays or other compact applications • U.L. listed for damp locations • 100 watt quartz halogen lamp, 3000°K, rated for 2000 hrs • Accommodates all stranded fiber optic cable - up to 300 fibers • "Instant-On" and dimming 	<p>Dimensions:</p>
---	---------------------------

71 watt quartz halogen



FS11L ILLUMINATOR

Description:
Quiet, compact incandescent illuminator.

<p>Benefits:</p> <ul style="list-style-type: none"> • Excellent for star ceilings and other end lit applications • U.L. listed for damp locations • 71 watt quartz halogen lamp, 3000°K, rated for 4000 hours • Accommodates all stranded fiber optic cable - up to 300 fibers • "Instant-On" and dimming 	<p>Dimensions:</p>
---	---------------------------

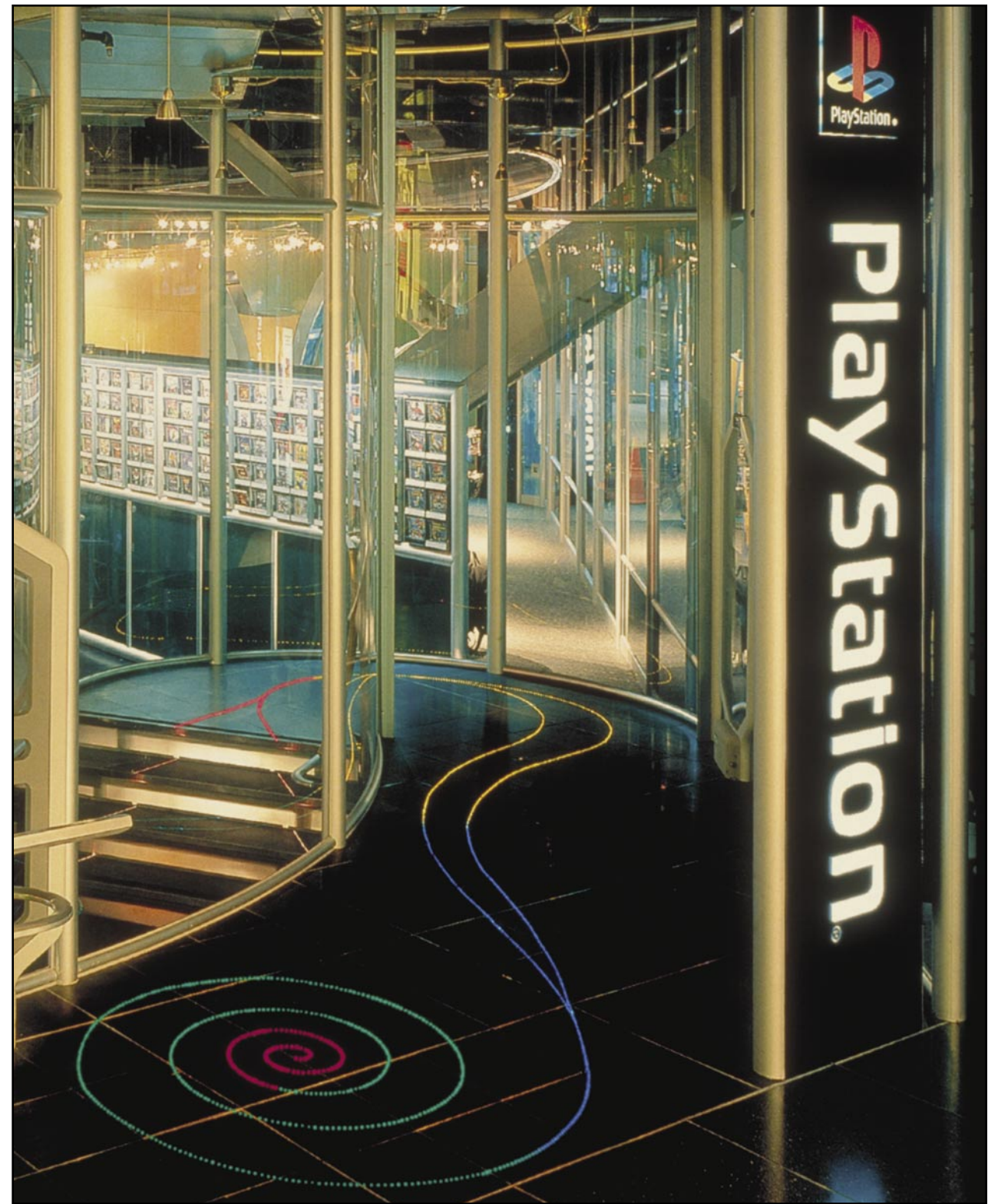
71 watt quartz halogen



FS1L ILLUMINATOR

Description:
Fanless, excellent for animated effects.

<p>Benefits:</p> <ul style="list-style-type: none"> • U.L. listed for dry locations • High fiber capacity for animated special effects- up to 3200 of .75mm fiber • 71 watt quartz halogen lamp, 3200°K, rated for 4000 hours. • Instant on/off capacity • Can also use 1.0mm, 1.5mm and 2.0mm stranded fibers 	<p>Dimensions:</p>
--	---------------------------



Project: Playstation
Location: San Francisco, California

601 ILLUMINATOR

description_ordering_guide_specifications

250 watt metal halide

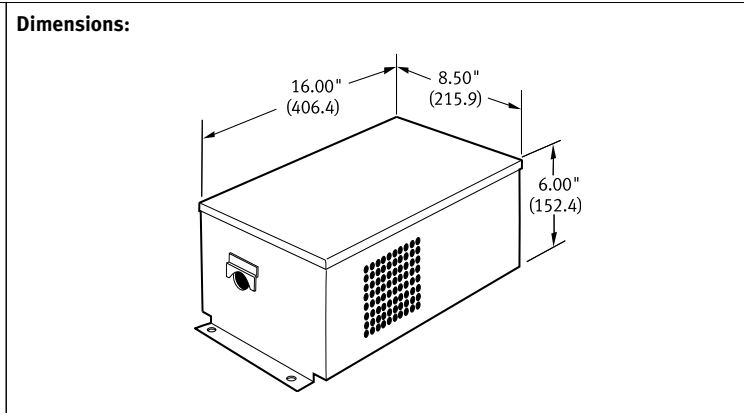


601 ILLUMINATOR

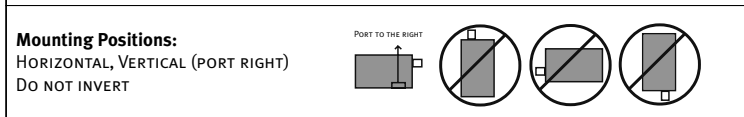
Description:
The 601 is one of Fiberstars' brightest illuminators. It uses a 250 watt HID lamp and is U.L. listed for damp locations. The 601 can be used in any outdoor applications for cool, brilliant illumination such as neon-like decorative accents, linear highlights or signage.

illuminator ordering guide	Model: 601	Color Wheel Options: NC NO COLOR C1 SINGLE COLOR C4/1* 4 COLORS, 1 RPM C4/3* 4 COLORS, 3.6 RPM C8/1* 8 COLORS, 1 RPM C8/3* 8 COLORS, 3.6 RPM SPW SPARKLE WHEEL (ADD TO C4 OR C8 ONLY) SPW/NC** SPARKLE WHEEL (W/ MOTOR, 400 FIBER (MAX.)) DWM/NC** DIMMING WHEEL, MECHANICAL (W/ MOTOR, NOT USED WITH COLOR WHEEL)	Options: 003 STANDARD 300 FIBER CAPACITY 004 SPECIAL 400 FIBER CAPACITY, WHITE LIGHT ONLY 005 SPECIAL 450 FIBER CAPACITY, STAR CEILING, WHITE LIGHT ONLY 006 SPECIAL 600 FIBER CAPACITY, STAR CEILING, WHITE LIGHT ONLY SM SYNC MASTER ILLUMINATOR, (C4 OR C8 ONLY) ONE SYNC MASTER ILLUMINATOR CONTROLS A NETWORK OF SYNC SLAVE ILLUMINATORS. SY SYNC SLAVE (C4 OR C8) CV CONTROLLER: VARIABLE DELAY ON COLOR, DELAYS COLOR CHANGES ON SYNC SLAVES WITH 3.6 RPM COLOR WHEEL MOTOR. ONE CONTROLLER PER NETWORK. DX DMX INTERFACE, HARDWIRE (C8 ONLY) 2 MOTOR CONTROL DXLR DMX INTERFACE, XLR 5-PIN CONN. (C8 ONLY) 2 MTR CNTL TBK T-BAR MOUNTING KIT HP HAMMETONE TWO COLOR PAINTED ENCLOSURE
	Voltage Options: 120 120V, 60 Hz 240 240v, 60 Hz 240I 240v, 50 Hz	* COLORS AND SEQUENCES MUST BE SPECIFIED AT TIME OF ORDER. ** SPECIFY 1 RPM OR 3.6 RPM MOTOR	

Specifications:	
Maximum Exposure Rating:	DAMP LOCATION
Ventilation:	172 CFM
Thermal Output:	1024 BTU/HR
Acoustic Rating (dB):	50
Weight:	14 LBS
Rec. Mounting Clearance:	24" (609.6MM)
Operating Temperature:	5° TO 25° C
Storage Temperature:	-20° TO 85° C
Continuous Load @ 120V:	3 AMPS
Startup Load @ 120V:	6 AMPS
Replacement Lamp:	HID-601
Lamp Wattage:	250W
Lamp Type:	HID METAL HALIDE
Lamp Life:	2000 HOURS
Restrike Delay:	3 MINUTES
Color Temperature:	6400° K
CRI:	70
Materials:	ZINC PLATED STEEL, DIE CAST ZINC
Color Filter Options:	APPLE-GREEN, AMBER, AQUA, DARK BLUE, MAGENTA, INCANDESCENT, MEDIUM BLUE, GREEN, NO COLOR, ORANGE, PURPLE*, TEAL
*INTENSITY OF LIGHT OUTPUT IS GREATLY REDUCED.	



Technical Remarks:
Add 5" (125mm) to length dimension in order to accommodate the fiber bending radius.



602 ILLUMINATOR

description_ordering_guide_specifications



250 watt metal halide

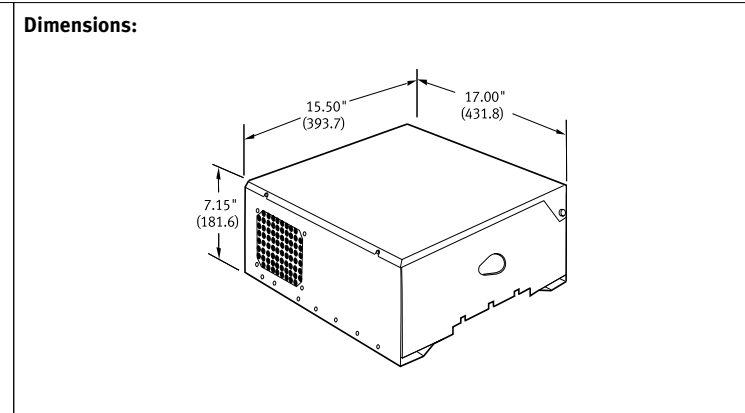


602 ILLUMINATOR

Description:
The 602 is one of Fiberstars brightest illuminators. It uses a 250 watt HID lamp and is U.L. listed for wet locations. The 602 is optimal for use in side emitting outdoor applications such as neon-like decorative accents, linear highlights or signage.

illuminator ordering guide	Model: 602	Color Wheel Options: NC NO COLOR C1 SINGLE COLOR C4/1* 4 COLORS, 1 RPM C4/3* 4 COLORS, 3.6 RPM C8/1* 8 COLORS, 1 RPM C8/3* 8 COLORS, 3.6 RPM SPW SPARKLE WHEEL (ADD TO C4 OR C8 ONLY) SPW/NC** SPARKLE WHEEL (W/ MOTOR, 400 FIBER (MAX.)) DWM/NC** DIMMING WHEEL, MECHANICAL (W/ MOTOR, NOT USED WITH COLOR WHEEL)	Options: 003 STANDARD 300 FIBER CAPACITY 004 SPECIAL 400 FIBER CAPACITY, WHITE LIGHT ONLY 005 SPECIAL 450 FIBER CAPACITY, STAR CEILING, WHITE LIGHT ONLY 006 SPECIAL 600 FIBER CAPACITY, STAR CEILING, WHITE LIGHT ONLY SM SYNC MASTER ILLUMINATOR, (C4 OR C8 ONLY) ONE SYNC MASTER ILLUMINATOR CONTROLS A NETWORK OF SYNC SLAVE ILLUMINATORS. SY SYNC SLAVE (C4 OR C8) CV CONTROLLER: VARIABLE DELAY ON COLOR, DELAYS COLOR CHANGES ON SYNC SLAVES WITH 3.6 RPM COLOR WHEEL MOTOR. ONE CONTROLLER PER NETWORK. DX DMX INTERFACE, HARDWIRE (C8 ONLY) 2 MOTOR CONTROL DXLR DMX INTERFACE, XLR 5-PIN CONN. (C8 ONLY) 2 MTR CNTL
	Voltage Options: 120 120V, 60 Hz 240 240v, 60 Hz 240I 240v, 50 Hz	* COLORS AND SEQUENCES MUST BE SPECIFIED AT TIME OF ORDER. ** SPECIFY 1 RPM OR 3.6 RPM MOTOR	

Specifications:	
Maximum Exposure Rating:	WET LOCATION
Ventilation:	172 CFM
Thermal Output:	1024 BTU/HR
Acoustic Rating (dB):	50
Weight:	29 LBS
Rec. Mounting Clearance:	24" (609.9MM)
Operating Temperature:	5° TO 25° C
Storage Temperature:	-20° TO 85° C
Continuous Load @ 120V:	3 AMPS
Startup Load @ 120V:	6 AMPS
Replacement Lamp:	HID-601
Lamp Wattage:	250W
Lamp Type:	HID METAL HALIDE
Lamp Life:	2000 HOURS
Restrike Delay:	3 MINUTES
Color Temperature:	6400° K
CRI:	70
Materials:	ZINC PLATED STEEL, DIE CAST ZINC
Color Filter Options:	APPLE-GREEN, AMBER, AQUA, DARK BLUE, MAGENTA, INCANDESCENT, MEDIUM BLUE, GREEN, NO COLOR, ORANGE, PURPLE*, TEAL
*INTENSITY OF LIGHT OUTPUT IS GREATLY REDUCED.	



Technical Remarks:
Add 5" (125mm) to length dimension in order to accommodate the fiber bending radius.



405N ILLUMINATOR

description_ordering_guide_specifications

150 watt metal halide



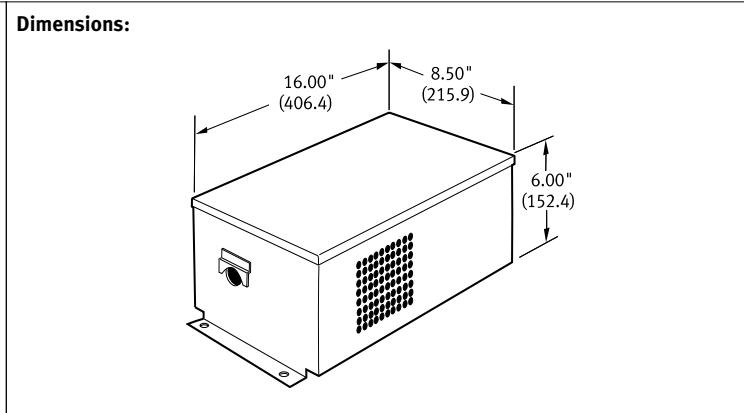
405N ILLUMINATOR

Description:

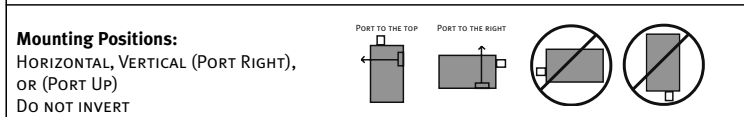
The 405N is Fiberstars' most popular illuminator. Housed in a compact, easy access enclosure, this illuminator is U.L. listed for damp locations. The 405N utilizes a 150 watt metal halide lamp and patented reflector combination to produce brilliant light. Available in two color temperatures, this illuminator can be used in recessed downlighting, linear highlights, display lighting, step lighting, decorative signage, starlit ceilings, soffit cove and glass block lighting applications.

illuminator ordering guide	Model:	Color Wheel Options:	Options:
	405N/30 3000° K 405N/40 4000° K 405N/30MC* 3000° K 405N/42MC* 4200° K 405N/30MR 3000° K 405N/40MR 4000° K <small>*USES PHILIPS MASTER COLOR LAMP</small>	NC No COLOR C1 SINGLE COLOR C4/1* 4 COLORS, 1 RPM C4/3* 4 COLORS, 3.6 RPM C8/1* 8 COLORS, 1 RPM C8/3* 8 COLORS, 3.6 RPM SPW SPARKLE WHEEL (ADD TO C4 OR C8 ONLY) SPW/NC** SPARKLE WHEEL (W/ MOTOR, 400 FIBER (MAX.)) DWM/NC** DIMMING WHEEL, MECHANICAL (W/ MOTOR, NOT USED W/COLOR WHEEL)	003 STANDARD 300 FIBER CAPACITY 004 SPECIAL 400 FIBER CAPACITY, WHITE LIGHT ONLY 005 SPECIAL 450 FIBER CAPACITY, STAR CEILING, WHITE LIGHT ONLY 006 SPECIAL 600 FIBER CAPACITY, STAR CEILING, WHITE LIGHT ONLY SM SYNC MASTER ILLUMINATOR, (C4 OR C8 ONLY) ONE SYNC MASTER ILLUMINATOR CONTROLS A NETWORK OF SYNC SLAVE ILLUMINATORS. SY SYNC SLAVE (C4 OR C8) CV CONTROLLER: VARIABLE DELAY ON COLOR, DELAYS COLOR CHANGES ON SYNC SLAVES WITH 3.6 RPM COLOR WHEEL MOTOR. ONE CONTROLLER PER NETWORK. DX DMX INTERFACE, HARDWIRE (C8 ONLY) 2 MOTOR CONTROL DXLR DMX INTERFACE, XLR 5-PIN CONN. (C8 ONLY) 2 MTR CNTL TBK T-BAR MOUNTING KIT HP HAMMETONE TWO COLOR PAINTED ENCLOSURE
	Voltage Options: 120 120V, 60 Hz 240 240V, 60 Hz 277 277V, 60 Hz 220I 220V, 50 Hz 230I 230V, 50 Hz 240I 240V, 50 Hz 250I 250V, 50 Hz	* COLORS AND SEQUENCES MUST BE SPECIFIED AT TIME OF ORDER. ** SPECIFY 1 RPM OR 3.6 RPM MOTOR	

Specifications:	
Maximum Exposure Rating:	DAMP LOCATION
Other Ratings:	NYC CALENDAR #39671
Ventilation:	115 CFM
Thermal Output:	683 BTU/HR
Acoustic Rating (dB):	47
Weight:	23 LBS
Rec. Mounting Clearance:	24" (609.6MM)
Operating Temperature:	-10° TO 40° C
Storage Temperature:	-30° TO 60° C
Continuous Load @ 120V:	1.8 AMPS
Startup Load @ 120V:	4 AMPS
Replacement Lamp:	3000°: HID-430, HID-430MR, HID-430MC 4000°: HID-440, HID-440MR, HID-440MC
Lamp Wattage:	150W
Lamp Type:	HID METAL HALIDE
Lamp Life:	6000 HOURS
Restrike Delay:	3 MINUTES
Color Temperature:	3000° - 4000° K
CRI:	80
Materials:	ZINC PLATED STEEL, DIE CAST ZINC
Color Filter Options:	APPLE-GREEN, AMBER, AQUA, DARK BLUE, MAGENTA, INCANDESCENT, MEDIUM BLUE, GREEN, NO COLOR, ORANGE, PURPLE*, TEAL *INTENSITY OF LIGHT OUTPUT IS GREATLY REDUCED.



Technical Remarks:
Add 5" (125mm) to length dimension in order to accommodate the fiber bending radius.



404N ILLUMINATOR

description_ordering_guide_specifications



150 watt metal halide



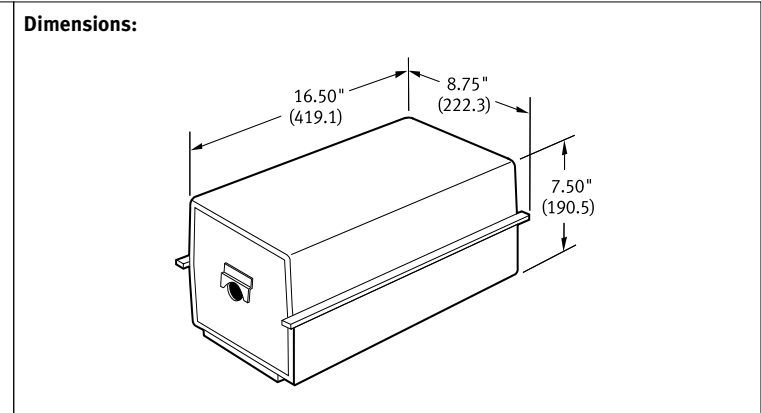
404N ILLUMINATOR

Description:

Manufactured with a durable polycarbonate case, the 404N illuminator is U.L. listed for wet locations. A powerful 150 watt metal halide lamp, available in two different color temperatures, utilizes Fiberstars' designed and patented reflector to deliver maximum light to the fiber. The 404N can be used in any outdoor application for non-electric illumination. This includes signage, water features, decorative landscaping, building accents, architectural features such as domes, soffits, steps, pavers and downlighting.

illuminator ordering guide	Model:	Color Wheel Options:	Options:
	404N/30 3000° K 404N/40 4000° K 404N/30MC* 3000° K 404N/42MC* 4200° K 404N/30MR 3000° K 404N/40MR 4000° K <small>*USES PHILIPS MASTER COLOR LAMP</small>	NC No COLOR C1 SINGLE COLOR C4/1* 4 COLORS, 1 RPM C4/3* 4 COLORS, 3.6 RPM C8/1* 8 COLORS, 1 RPM C8/3* 8 COLORS, 3.6 RPM SPW SPARKLE WHEEL (ADD TO C4 OR C8 ONLY) SPW/NC** SPARKLE WHEEL (W/ MOTOR, 400 FIBER (MAX.)) DWM/NC** DIMMING WHEEL, MECHANICAL (W/ MOTOR, NOT USED W/COLOR WHEEL)	003 STANDARD 300 FIBER CAPACITY 004 SPECIAL 400 FIBER CAPACITY, WHITE LIGHT ONLY 005 SPECIAL 450 FIBER CAPACITY, STAR CEILING, WHITE LIGHT ONLY 006 SPECIAL 600 FIBER CAPACITY, STAR CEILING, WHITE LIGHT ONLY SM SYNC MASTER ILLUMINATOR, (C4 OR C8 ONLY) ONE SYNC MASTER ILLUMINATOR CONTROLS A NETWORK OF SYNC SLAVE ILLUMINATORS. SY SYNC SLAVE (C4 OR C8) CV CONTROLLER: VARIABLE DELAY ON COLOR, DELAYS COLOR CHANGES ON SYNC SLAVES WITH 3.6 RPM COLOR WHEEL MOTOR. ONE CONTROLLER PER NETWORK. DX DMX INTERFACE, HARDWIRE (C8 ONLY) 2 MOTOR CONTROL DXLR DMX INTERFACE, XLR 5-PIN CONN. (C8 ONLY) 2 MTR CNTL WB WALL MOUNTING BRACKETS
	Voltage Options: 120 120V, 60 Hz 240 240V, 60 Hz 277 277V, 60 Hz 220I 220V, 50 Hz 230I 230V, 50 Hz 240I 240V, 50 Hz	* COLORS AND SEQUENCES MUST BE SPECIFIED AT TIME OF ORDER. ** SPECIFY 1 RPM OR 3.6 RPM MOTOR	

Specifications:	
Maximum Exposure Rating:	WET LOCATION
Other Ratings:	NYC CALENDAR #39671
Ventilation:	115 CFM
Thermal Output:	683 BTU/HR
Acoustic Rating (dB):	46
Weight:	18 LBS
Rec. Mounting Clearance:	24" (609.6MM)
Operating Temperature:	-10° TO 25° C
Storage Temperature:	-30° TO 60° C
Continuous Load @ 120V:	1.8 AMPS
Startup Load @ 120V:	4 AMPS
Replacement Lamp:	3000°: HID-430, HID-430MR, HID-430MC 4000°: HID-440, HID-440MR, HID-440MC
Lamp Wattage:	150W
Lamp Type:	HID METAL HALIDE
Lamp Life:	6000 HOURS
Restrike Delay:	3 MINUTES
Color Temperature:	3000° - 4000° K
CRI:	80
Materials:	EXTERIOR GRADE POLYCARBONATE, ALUMINUM
Color Filter Options:	APPLE-GREEN, AMBER, AQUA, DARK BLUE, MAGENTA, INCANDESCENT, MEDIUM BLUE, GREEN, NO COLOR, ORANGE, PURPLE*, TEAL *INTENSITY OF LIGHT OUTPUT IS GREATLY REDUCED.



Technical Remarks:
Add 5" (125mm) to length dimension in order to accommodate the fiber bending radius.



FS7L ILLUMINATOR

description_ordering guide_specifications

183 watt quartz halogen

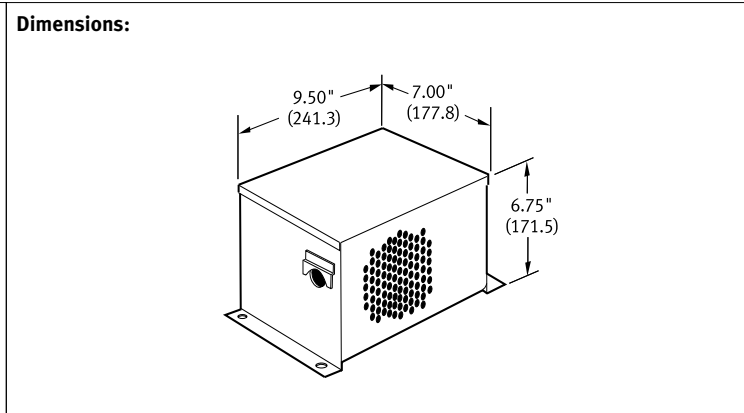


FS7L ILLUMINATOR

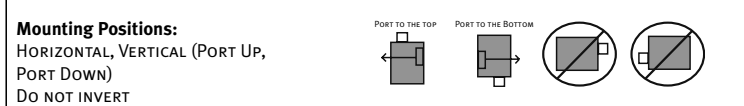
Description:
The FS7L is Fiberstars' interior, 183 quartz halogen illuminator. This illuminator is listed for damp locations. The FS7L produces instant-on incandescent illumination for interior applications. Where short cycle, dimming or frequent switching is desired, the FS7L can be used for special effects and residential lighting applications. This illuminator also has the options of color and sparkle wheels, color wheel synchronization and an optional dimmer ready. The FS7L can be ordered as dimmable ready to work with a standard rheostat electronic dimmer (DR) or an architectural/theatrical dimming system (DRC).

illuminator ordering guide	Model: FS7L	Color Wheel Options: NC NO COLOR C1 SINGLE COLOR C4/1* 4 COLORS, 1 RPM C4/3* 4 COLORS, 3.6 RPM C8/1* 8 COLORS, 1 RPM C8/3* 8 COLORS, 3.6 RPM SPW SPARKLE WHEEL (ADD TO C4 OR C8 ONLY) SPW/NC** SPARKLE WHEEL (W/ MOTOR, 400 FIBER (MAX.)) DWM/NC** DIMMING WHEEL, MECHANICAL (W/ MOTOR, NOT USED W/COLOR WHEEL) * COLORS AND SEQUENCES MUST BE SPECIFIED AT TIME OF ORDER. ** SPECIFY 1 RPM OR 3.6 RPM MOTOR	Options: 003 STANDARD 300 FIBER CAPACITY 004 SPECIAL 400 FIBER CAPACITY, WHITE LIGHT ONLY 005 SPECIAL 450 FIBER CAPACITY, STAR CEILING, WHITE LIGHT ONLY 006 SPECIAL 600 FIBER CAPACITY, STAR CEILING, WHITE LIGHT ONLY SM SYNC MASTER ILLUMINATOR, (C4 OR C8 ONLY) ONE SYNC MASTER ILLUMINATOR CONTROLS A NETWORK OF SYNC SLAVE ILLUMINATORS. SY SYNC SLAVE (C4 OR C8) CV CONTROLLER: VARIABLE DELAY ON COLOR, DELAYS COLOR CHANGES ON SYNC SLAVES WITH 3.6 RPM COLOR WHEEL MOTOR. ONE CONTROLLER PER NETWORK. PS PLUG AND SWITCHES (NOT AVAILABLE W/ DR OR DRC OPTIONS) TBK T-BAR MOUNTING KIT DR DIMMABLE READY (STANDARD ELECTRONIC RHEOSTAT DIMMER) DRC DIMMABLE READY (ARCHITECTURAL/THEATRICAL ELECTRONIC DIMMER)
	Voltage Options: 120 120V, 60 Hz 220I 220V, 50 Hz 230I 230V, 50 Hz 240I 240V, 50 Hz		

Specifications:	
Maximum Exposure Rating:	DAMP LOCATION
Ventilation:	50 CFM
Thermal Output:	625 BTU/HR
Acoustic Rating (dB):	42
Weight:	5 LBS
Rec. Mounting Clearance:	24" (609.6MM)
Operating Temperature:	-10° TO 25° C
Storage Temperature:	-30° TO 60° C
Continuous Load @ 120V:	2 AMPS
Startup Load @ 120V:	2 AMPS
Replacement Lamp:	HI-110
Lamp Wattage:	183W
Lamp Type:	QUARTZ HALOGEN
Lamp Life:	700 HOURS
Restrike Delay:	0 MINUTES
Color Temperature:	3000° K
CRI:	90
Materials:	ALUMINUM, DIE CAST ZINC
Color Filter Options:	APPLE-GREEN, AMBER, AQUA, DARK BLUE, DARK RED*, MAGENTA, INCANDESCENT, MEDIUM BLUE, GREEN, NO COLOR, ORANGE, PURPLE*, SALMON*, TEAL



Technical Remarks:
Add 5" (125mm) to length dimension in order to accommodate the fiber bending radius.



*INTENSITY OF LIGHT OUTPUT IS GREATLY REDUCED.

FS13L ILLUMINATOR

description_ordering guide_specifications



100 watt quartz halogen

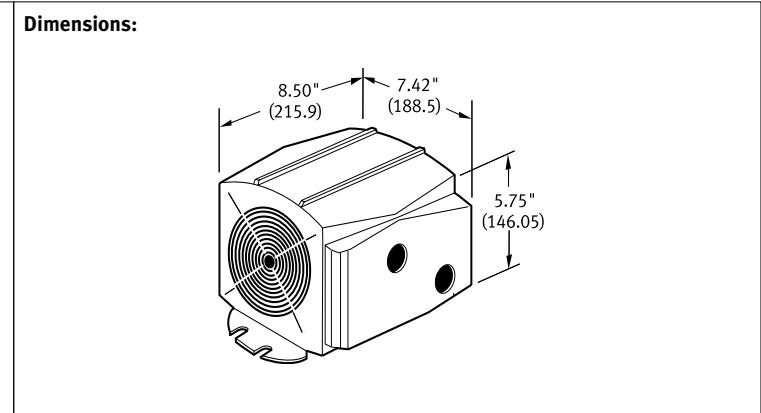


FS13L ILLUMINATOR

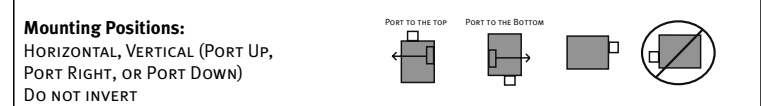
Description:
A compact, quiet light source, the FS13L is U.L. listed for damp locations. It uses two 100 watt quartz halogen lamps with 3000° Kelvin color temperature which can be switched on separately and two ports which allow for twice the fiber capacity of other illuminators. The FS13L illuminator was designed specifically for use in display cases, point of purchase displays or other compact applications. It also works well for end-lit signs that create or highlight letters or designs with multiple points of light. The FS13L can be ordered dimmable ready.

illuminator ordering guide	Model: FS13L	Color Wheel Options: NC NO COLOR C1 SINGLE COLOR * SINGLE COLOR(S) MUST BE SPECIFIED AT TIME OF ORDER.	Options: 003 STANDARD 300 FIBER CAPACITY 004 SPECIAL 400 FIBER CAPACITY, WHITE LIGHT ONLY 005 SPECIAL 450 FIBER CAPACITY, STAR CEILING, WHITE LIGHT ONLY 006 SPECIAL 600 FIBER CAPACITY, STAR CEILING, WHITE LIGHT ONLY PS PLUG AND SWITCHES (NOT AVAILABLE WITH DR OR DRC OPTIONS) TBK T-BAR MOUNTING KIT DR DIMMABLE READY (STANDARD ELECTRONIC RHEOSTAT DIMMER) DRC DIMMABLE READY (ARCHITECTURAL/THEATRICAL ELECTRONIC DIMMER) VK VENTILATION KIT
	Voltage Options: 120 120V, 60 Hz 220I 220V, 50 Hz 230I 230V, 50 Hz 240I 240V, 50 Hz		

Specifications:	
Maximum Exposure Rating:	DAMP LOCATION
Ventilation:	95 CFM
Thermal Output:	770 BTU/HR
Acoustic Rating (dB):	44
Weight:	4.2 LBS
Rec. Mounting Clearance:	24" (609.6MM)
Operating Temperature:	5° TO 30° C
Storage Temperature:	-20° TO 85° C
Continuous Load @ 120V:	2 AMPS
Startup Load @ 120V:	2 AMPS
Replacement Lamp:	(2) HI-100
Lamp Wattage:	100W
Lamp Type:	QUARTZ HALOGEN
Lamp Life:	2000 HOURS
Restrike Delay:	0 MINUTES
Color Temperature:	3000° K
CRI:	90
Materials:	POLYCARBONATE, 2 DIE CAST ZINC PORTS
COLOR FILTER OPTIONS:	APPLE-GREEN, AMBER, AQUA, DARK BLUE, DARK RED*, MAGENTA, INCANDESCENT, MEDIUM BLUE, GREEN, NO COLOR, ORANGE, PURPLE*, SALMON*, TEAL



Technical Remarks:
Add 5" (125mm) to length dimension in order to accommodate the fiber bending radius.



*INTENSITY OF LIGHT OUTPUT IS GREATLY REDUCED.

FS12L ILLUMINATOR

description_ordering guide_specifications

100 watt quartz halogen



FS12L ILLUMINATOR

Description:

A compact, quiet light source, the FS12L is U.L. listed for damp locations. It uses a 100 watt quartz halogen lamp with 3000° Kelvin color temperature. The FS12L illuminator was designed specifically for use in display cases, point of purchase displays or other compact applications. It also works well for end-lit signs that create or highlight letters or designs with multiple points of light. The FS12L can be ordered dimmable ready.

illuminator ordering guide	Model: FS12L	Color Wheel Options: NC No COLOR C1 SINGLE COLOR C4/1* 4 COLORS, 1 RPM C4/3* 4 COLORS, 3.6 RPM C8/1* 8 COLORS, 1 RPM C8/3* 8 COLORS, 3.6 RPM SPW SPARKLE WHEEL (ADD TO C4 OR C8 ONLY) SPW/NC** SPARKLE WHEEL (W/ MOTOR, 400 FIBER (MAX.)) DWM/NC** DIMMING WHEEL, MECHANICAL (W/ MOTOR, NOT USED W/COLOR WHEEL)	Options: 003 STANDARD 300 FIBER CAPACITY 004 SPECIAL 400 FIBER CAPACITY, WHITE LIGHT ONLY 005 SPECIAL 450 FIBER CAPACITY, STAR CEILING, WHITE LIGHT ONLY 006 SPECIAL 600 FIBER CAPACITY, STAR CEILING, WHITE LIGHT ONLY PS PLUG AND SWITCHES (NOT AVAILABLE WITH DR OR DRC OPTIONS) TBK T-BAR MOUNTING KIT DR DIMMABLE READY (STANDARD ELECTRONIC RHEOSTAT DIMMER) DRC DIMMABLE READY (ARCHITECTURAL/THEATRICAL ELECTRONIC DIMMER) VK VENTILATION KIT
	Voltage Options: 120 120V, 60 Hz 220I 220V, 50 Hz 230I 230V, 50 Hz 240I 240V, 50 Hz	* COLORS AND SEQUENCES MUST BE SPECIFIED AT TIME OF ORDER. ** SPECIFY 1 RPM OR 3.6 RPM MOTOR	

Specifications: Maximum Exposure Rating: DAMP LOCATION Ventilation: 95 CFM Thermal Output: 385 BTU/HR Acoustic Rating (dB): 44 Weight: 3.8 LBS Rec. Mounting Clearance: 24" (609.6MM) Operating Temperature: 0° TO 30° C Storage Temperature: -20° TO 85° C Continuous Load @ 120V: 1 AMP Startup Load @ 120V: 1 AMP Replacement Lamp: HI-100 Lamp Wattage: 100W Lamp Type: QUARTZ HALOGEN Lamp Life: 2000 HOURS Restrike Delay: 0 MINUTES Color Temperature: 3000° K CRI: 90 Materials: POLYCARBONATE, DIE CAST ZINC PORT Color Filter Options: APPLE-GREEN, AMBER, AQUA, DARK BLUE, DARK RED*, MAGENTA, INCANDESCENT, MEDIUM BLUE, GREEN, NO COLOR, ORANGE, PURPLE*, SALMON*, TEAL *INTENSITY OF LIGHT OUTPUT IS GREATLY REDUCED.	Dimensions:
	Technical Remarks: Add 5" (125mm) to length dimension in order to accommodate the fiber bending radius.
Mounting Positions: HORIZONTAL, VERTICAL (PORT UP, PORT RIGHT, OR PORT DOWN) DO NOT INVERT	

FS11L ILLUMINATOR

description_ordering guide_specifications



71 watt quartz halogen



FS11L ILLUMINATOR

Description:

A compact, quiet light source, the FS11L is U.L. listed for damp locations. It uses a 71 watt quartz halogen lamp with 3000° Kelvin color temperature. The FS11L illuminator was designed specifically for use in display cases, point of purchase displays or other compact applications. It also works well for end-lit signs that create or highlight letters or designs with multiple points of light. The FS11L can be ordered dimmable ready.

illuminator ordering guide	Model: FS11L	Color Wheel Options: NC No COLOR C1 SINGLE COLOR C4/1* 4 COLORS, 1 RPM C4/3* 4 COLORS, 3.6 RPM C8/1* 8 COLORS, 1 RPM C8/3* 8 COLORS, 3.6 RPM SPW SPARKLE WHEEL (ADD TO C4 OR C8 ONLY) SPW/NC** SPARKLE WHEEL (W/ MOTOR, 400 FIBER (MAX.)) DWM/NC** DIMMING WHEEL, MECHANICAL (W/ MOTOR, NOT USED W/COLOR WHEEL)	Options: 003 STANDARD 300 FIBER CAPACITY 004 SPECIAL 400 FIBER CAPACITY, WHITE LIGHT ONLY 005 SPECIAL 450 FIBER CAPACITY, STAR CEILING, WHITE LIGHT ONLY 006 SPECIAL 600 FIBER CAPACITY, STAR CEILING, WHITE LIGHT ONLY PS PLUG AND SWITCHES (NOT AVAILABLE WITH DR OR DRC OPTIONS) TBK T-BAR MOUNTING KIT DR DIMMABLE READY (STANDARD ELECTRONIC RHEOSTAT DIMMER) DRC DIMMABLE READY (ARCHITECTURAL/THEATRICAL ELECTRONIC DIMMER) VK VENTILATION KIT
	Voltage Options: 120 120V, 60 Hz 220I 220V, 50 Hz 230I 230V, 50 Hz 240I 240V, 50 Hz	* COLORS AND SEQUENCES MUST BE SPECIFIED AT TIME OF ORDER. ** SPECIFY 1 RPM OR 3.6 RPM MOTOR	

Specifications: Maximum Exposure Rating: DAMP LOCATION Ventilation: 95 CFM Thermal Output: 276 BTU/HR Acoustic Rating (dB): 40 Weight: 4 LBS Rec. Mounting Clearance: 24" (609.6MM) Operating Temperature: 0° TO 25° C Storage Temperature: -20° TO 85° C Continuous Load @ 120V: 0.8 AMPS Startup Load @ 120V: 0.8 AMPS Replacement Lamp: HI-075 Lamp Wattage: 71W Lamp Type: QUARTZ HALOGEN Lamp Life: 4000 HOURS Restrike Delay: 0 MINUTES Color Temperature: 3000° K CRI: 90 Materials: POLYCARBONATE DIE CAST ZINC PORT Color Filter Options: APPLE-GREEN, AMBER, AQUA, DARK BLUE, DARK RED*, MAGENTA, INCANDESCENT, MEDIUM BLUE, GREEN, NO COLOR, ORANGE, PURPLE*, SALMON*, TEAL *INTENSITY OF LIGHT OUTPUT IS GREATLY REDUCED.	Dimensions:
	Technical Remarks: Add 5" (125mm) to length dimension in order to accommodate the fiber bending radius.
Mounting Positions: HORIZONTAL, VERTICAL (PORT UP, PORT RIGHT, OR PORT DOWN) DO NOT INVERT	

FS1L ILLUMINATOR

description_ordering guide_specifications



71 watt quartz halogen



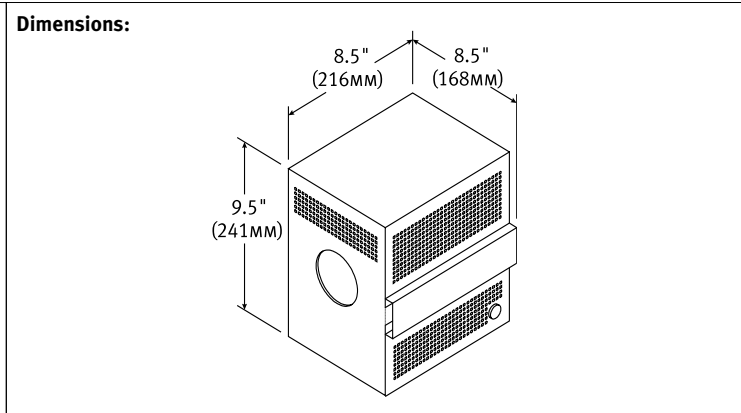
FS1L ILLUMINATOR

Description:

The FS1L is a small, fanless light source primarily used for end emitting points of light for animated signs and special effects. It uses a 71 watt quartz halogen lamp with 3200° Kelvin color temperature and is U.L. listed for dry locations. The FS1L has a high fiber capacity of up to 3200 of 0.75mm fibers.

illuminator ordering guide	Model: FS1L	Color Wheel Options: CCW* CUSTOM COLOR WHEEL CSW CUSTOM SPARKLE WHEEL	Options: CUST 3200 FIBER CAPACITY – MUST BE PRE-PORTED BY FACTORY ANI CUSTOM ANIMATION – CONSULT FACTORY
	Voltage Options: 120 120V, 60 Hz	* COLORS AND SEQUENCES MUST BE SPECIFIED AT TIME OF ORDER.	

Specifications:	
Maximum Exposure Rating:	DRY LOCATION
Ventilation:	FANLESS
Thermal Output:	275 BTU/HR
Acoustic Rating (dB):	15
Weight:	5 LBS
Rec. Mounting Clearance:	12" MINIMUM (304.8MM)
Operating Temperature:	5° TO 25° C
Storage Temperature:	5° TO 70° C
Continuous Load @ 120V:	0.75 AMPS
Startup Load @ 120V:	0.75 AMPS
Replacement Lamp:	HI-071
Lamp Wattage:	71W
Lamp Type:	QUARTZ HALOGEN
Lamp Life:	4000 HOURS
Restrike Delay:	0 MINUTES
Color Temperature:	3200° K
CRI:	95
Materials:	ALUMINUM
Color Filter Options:	CONSULT FACTORY



Technical Remarks:
Unit is convection cooled (fanless) and extremely quiet. Add 10" (250mm) to length dimension in order to accommodate the fiber bending radius. Fiber must be factory ported.



Project: IMAX Cinema
Location: Berlin, Germany
Designer: Architect Renzo Piano, Berlin, Germany and Conception and Design Hofer, Berlin, Germany