

RUUD[®]
LIGHTING

AeroDome[™]

Improved Lighting
with Fewer Fixtures
and Full Cutoff!



AeroDome™

Full Cutoff Lighting and Advanced Vertical Lamp Optical Design!

Offer Your Customers:

- Higher maintained light levels with fewer fixtures
- Greater spacing with improved uniformity
- Rotatable optics for mounting and layout flexibility
- IESNA Full Cutoff classification with flat glass lens



Backlight Shield (Optional)



Side-Arm Mount
(Type III shown)



Post-Top Mount
Round Tube Center
(Type V shown)

6" Square Pole
Recommended

250- to 1000-watt PSMH,
MH or HPS lamp included

Match Form and Function on Your Next Project with our **NEW** (GWC) Full Cutoff Wall Pack!



- Meets IESNA Full Cutoff Classification
- Premium optics with vertical lamp up to 400-watt PSMH and MH
- Easy installation, uses EZ Wall Pack® mounting system
- Shares the design characteristics of the AeroDome family

Colors available with Exclusive Colorfast DeltaGuard™ finish, with 7-year warranty



Bronze



Black

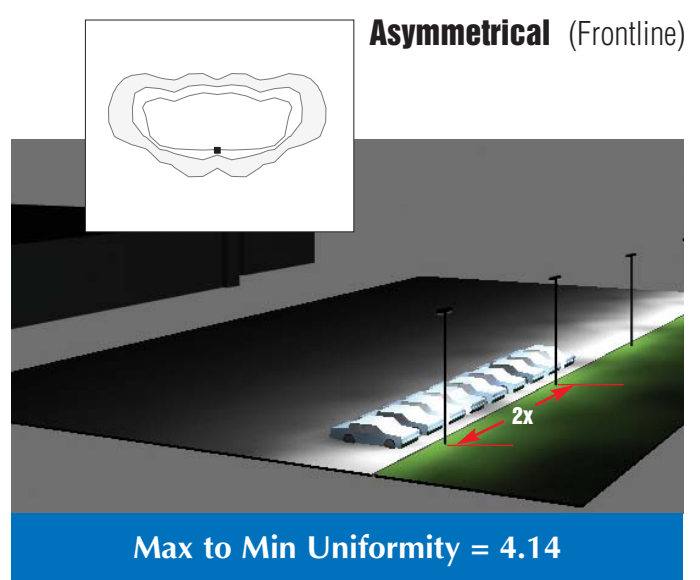
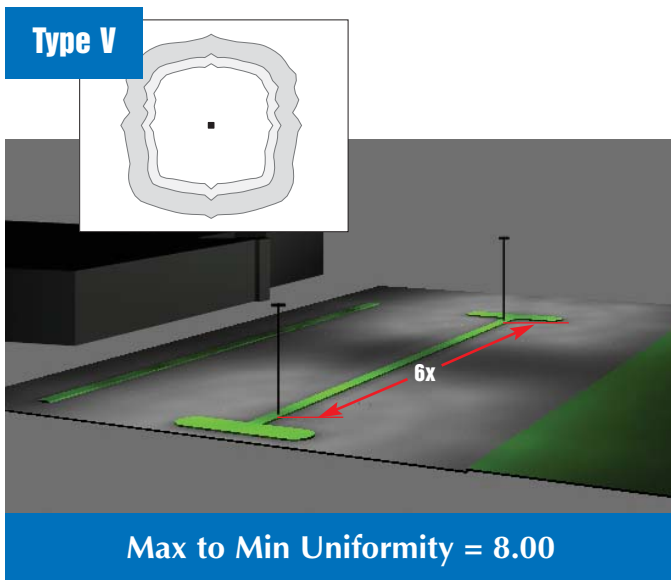
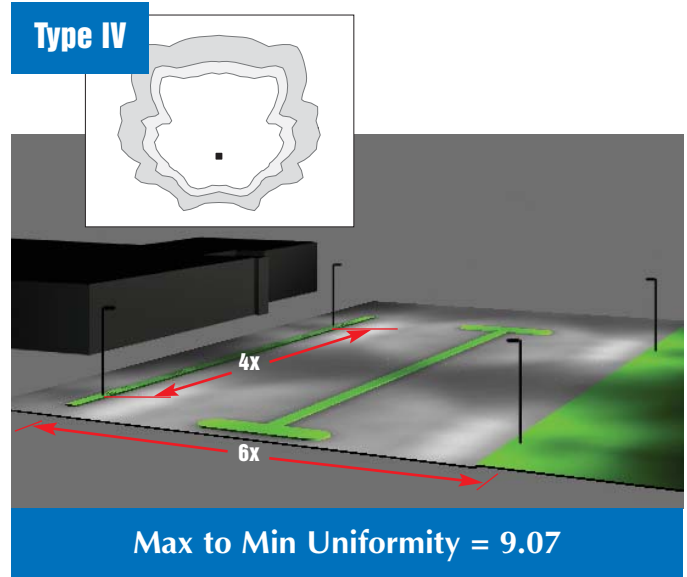
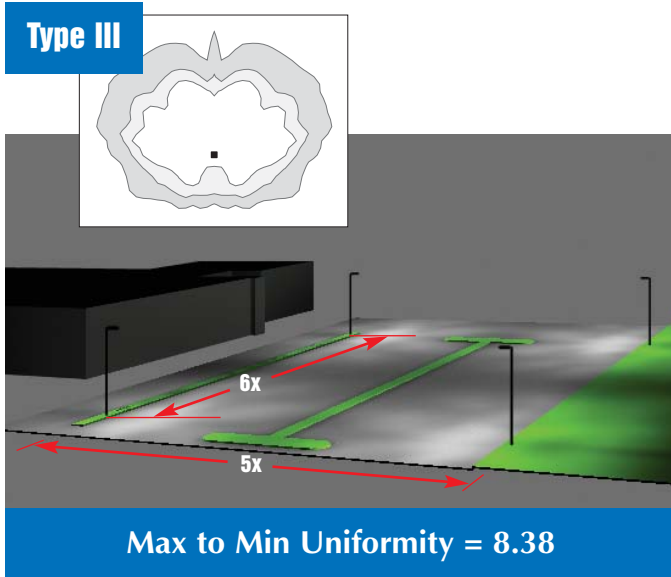


White



Silver

The right optic and pole spacing for every Area, Parking and Frontline Application!



x = Distance in Units of Mounting Height

Let us help you... take the guesswork out of selecting the right optic, pole spacing and height for your project.

Our Application Engineering Department is ready to help you design your next project. **Call us for a free layout and quote today! 800-236-7000**

AeroDome™

Easy Installation... Saves Time and Money

- 1 Separate removable ballast module means you can install the fixture with less weight while mounting fixture to pole
- 2 Simple, direct pole Side-Arm or Post-Top Mount
- 3 Tool-less lens frame entry saves time, eases installation and maintenance

Longer Life... With Less Maintenance and No Worries

- 4 Isolated ballast compartment with thermal chimney manages heat for longer component life
- 5 Seamless, die-cast aluminum housing with Colorfast DeltaGuard™ finish
- 6 High-temperature silicone gaskets seal optical system from debris and insects to reduce maintenance



RUUD[®]
LIGHTING

Dependability... DIRECT!

9201 Washington Avenue
Racine, Wisconsin 53406-3772

For additional information,
pricing and a free
professional lighting layout,

CALL TODAY!
(800) 236-7000

Visit us online at: www.ruudlighting.com